



Two adjustable 12W LED floodlights. Equivalent to 2x75W BR30/halogen/wide floods. Comes with sensor with 180° detection pattern at up to 30 ft.

Color: White

Weight: 6.8 lbs

<b>Project:</b>	<b>Type:</b>
<b>Prepared By:</b>	<b>Date:</b>

Driver Info		LED Info	
Type	Constant Current	Watts	24W
120V	0.22A	Color Temp	4000K (Neutral)
208V	N/A	Color Accuracy	84 CRI
240V	N/A	L70 Lifespan	100,000
277V	N/A	Lumens	2,528
Input Watts	26.3W	Efficacy	96.1 LPW

## Technical Specifications

### Listings

#### UL Listing:

Suitable for wet locations, wall mount only

#### IESNA LM-79 & LM-80 Testing:

RAB LED luminaires and LED components have been tested by an independent laboratory in accordance with IESNA LM-79 and LM-80.

### LED Characteristics

#### LEDs:

Multi-chip, high-output, long-life LEDs

#### Lifespan:

100,000-Hour LED lifespan based on IES LM-80 results and TM-21 calculations

#### Color Stability:

LED color temperature is warranted to shift no more than 200K in CCT over a 5-year period

#### Color Uniformity:

RAB's range of CCT (Correlated Color Temperature) follows the guidelines of the American National Standard for Specifications for the Chromaticity of Solid State Lighting (SSL) Products, ANSI C78.377-2017.

### Construction

#### Thermal Management:

Superior heat sinking with external Air-Flow fins

#### Housing:

Die-cast aluminum housing, lens frame and mounting plate

#### Reflector:

Semi-specular, vacuum-metalized polycarbonate

#### Lens:

Microprismatic diffusion lens for smooth and even light distribution

#### Mounting:

Heavy-duty mounting arm with "O" ring seal and stainless steel screws

#### Gaskets:

High-temperature silicone gaskets

#### Finish:

Our environmentally friendly polyester powder coatings are formulated for high-durability and long-lasting color

#### Green Technology:

Mercury and UV free. RoHS-compliant components.

### Electrical

#### Switching Capacity:

500 Watts of LED BULLET12 floods

#### Voltage:

120VAC, 60Hz

### Sensor Characteristics

#### Sensor Power Consumption (when idle):

1 Watt

#### Time Adjustment:

5 seconds to 15 minutes

#### Sensor LED:

Sensor indicator LED glows red day & night for "on guard" deterrence

## Technical Specifications (continued)

### Sensor Characteristics

#### Surge Protection:

Withstands up to 3000 Volts

#### "No Hands" Auto Testing:

Auto mode starts after 4 minutes of testing. No adjustment needed.

#### Manual Override:

Double flip wall switch logic prevents activation by momentary power outages. Override resets to auto at dawn. No extra wiring needed.

### RF Immunity:

Circuits fully shielded for maximum radio frequency immunity

### Photoelectric Control:

Deactivates lights during daylight. Fully adjustable for 24-hour operation or custom applications.

### Adjustments:

Time, ambient light & sensitivity

### Other

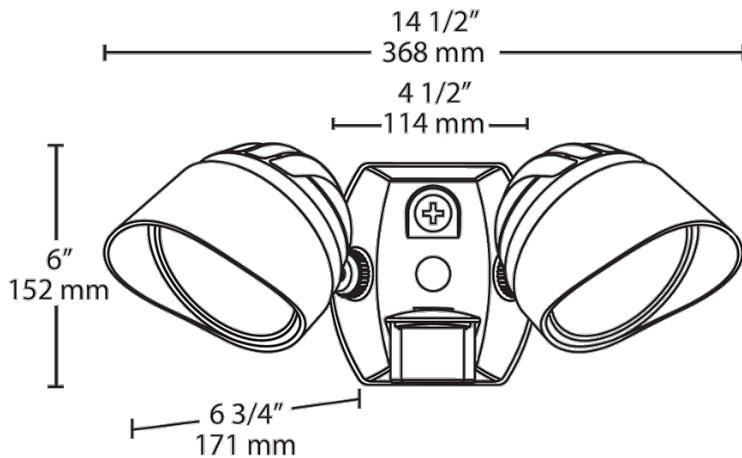
#### Warranty:

RAB warrants that our LED products will be free from defects in materials and workmanship for a period of ten (10) years from the date of delivery to the end user, including coverage of light output, color stability, driver performance and fixture finish. RAB's warranty is subject to all terms and conditions found at [www.rablighting.com/legal#warranty](http://www.rablighting.com/legal#warranty)

#### Buy American Act Compliance:

RAB values USA manufacturing! Upon request, RAB may be able to manufacture this product to be compliant with the Buy American Act (BAA). Please contact customer service to request a quote for the product to be made BAA compliant.

## Dimensions



## Features

Two adjustable 12W LED floodlights

Equivalent to 2x75W BR30/halogen/wide floods

Sensor with 180°deg; detection pattern at up to 30 ft.

Photo control keeps lights off during the daytime

Microprismatic diffusion lens optimizes light output without glare

10-Year Warranty on full fixture & sensor assembly

100,000-hour LED Lifespan

## Ordering Matrix

Family	Wattage	Color Temp	Finish
SMSBULLET	2X12	N	W
	2X12 = 24W	N = 4000K (Neutral)	A = Bronze W = White