



Project:	Type:
Prepared By:	Date:

Driver Info		LED Info	
Type	Constant Current	Watts	40W
120V	0.34A	Color Temp	4000K (Neutral)
208V	0.20A	Color Accuracy	81 CRI
240V	0.17A	L70 Lifespan	75,000
277V	0.15A	Lumens	4,845
Input Watts	38.70W	Efficacy	125.2 LPW
Efficiency	N/A		

Technical Specifications

Listings

UL Listed:

Suitable for damp locations

IESNA LM-79 & IESNA LM-80 Testing:

RAB LED luminaires and LED components have been tested by an independent laboratory in accordance with IESNA LM-79 and LM-80.

DLC Listed:

This product is on the Design Lights Consortium (DLC) Qualified Products List and is eligible for rebates from DLC Member Utilities. DLC Product Code: PL3725S1

LED Characteristics

Lifespan:

75,000-hour LED lifespan based on IES LM-80 results and TM-21 calculations

LEDs:

Long-life, high-efficacy, surface-mount LEDs

Construction

Ambient Operating Temperature:

-30°C (-22°F) to 40°C (104°F)

Lens:

Frosted Polystyrene

Mounting:

Recessed ceiling

IP Rating:

Ingress Protection rating of IP66 for dust and water

Housing:

Lightweight aluminum housing

Finish:

Formulated for high durability and long-lasting color

Green Technology:

Mercury and UV free. RoHS-compliant components.

Other

Warranty:

RAB warrants that our LED products will be free from defects in materials and workmanship for a period of five (5) years from the date of delivery to the end user, including coverage of light output, color stability, driver performance and fixture finish. RAB's warranty is subject to all terms and conditions found at rablighting.com/warranty.

Buy American Act Compliance:

RAB values USA manufacturing! Upon request, RAB may be able to manufacture this product to be compliant with the Buy American Act (BAA). Please contact customer service to request a quote for the product to be made BAA compliant.

Electrical

Driver:

Constant Current, Class 2, 120-277V, 50/60 Hz, 120V: 0.34A, 208V: 0.20A, 240V: 0.17A, 277V: 0.15A

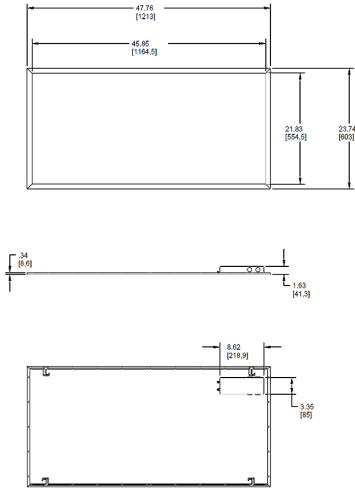
THD:

8.51% at 120V, 8.95% at 277V

Power Factor:

99.3% at 120V, 95.2% at 277V

Dimensions



Features

- Field-adjustable light output (3 discrete steps)
- White tunable (3 discrete color temperatures)
- Can be changed before, during or after installation
- 75,000-Hour LED lifespan

Ordering Matrix

Family	Size	Voltage	Options
EZPANFA	2X4	/D10	
	1X4 = 1' x 4' 2X2 = 2' x 2' 2X4 = 2' x 4'	/D10 = 0-10V Dimming	Blank = No Option /LC = Lightcloud® Controller /E2 = Battery Backup