



Ultra-economy wall pack with traditional look.

Color: Bronze

Weight: 6.6 lbs

<b>Project:</b>	<b>Type:</b>
<b>Prepared By:</b>	<b>Date:</b>

Driver Info		LED Info	
Type	Constant Current	Watts	33W
120V	0.28A	Color Temp	3000K (Warm)
208V	0.17A	Color Accuracy	83 CRI
240V	0.15A	L70 Lifespan	50,000
277V	0.13A	Lumens	3,529
Input Watts	33.6W	Efficacy	105 LPW
Efficiency	98%		

**Technical Specifications**

**Listings**

**UL Listing:**

Suitable for wet locations. Suitable for mounting within 4 feet of the ground.

**DLC Listed:**

This product is on the Design Lights Consortium (DLC) Qualified Products List and is eligible for rebates from DLC Member Utilities. DLC Product Code: P80XBP0Y

**Electrical**

**Dimming Driver:**

Driver includes dimming control wiring for 0-10V dimming systems. Requires separate 0-10V DC dimming circuit. Dims as low as 10%.

**Driver:**

Constant Current, Class 2, 120-277V, 50/60Hz, 120V: 0.28A, 208V: 0.17A, 240V: 0.15A, 277V: 0.13A

**THD:**

6.7% at 120V, 4.7% at 277V

**Power Factor:**

99.4% at 120V, 93.7% at 277V

**LED Characteristics**

**Lifespan:**

50,000-hour LED lifespan based on IES LM-80 results and TM-21 calculations

**Note:**

All values are typical (tolerance +/- 10%)

**LEDs:**

Long-life, high-efficacy surface mount LEDs

**Color Uniformity:**

RAB's range of CCT (Correlated Color Temperature) follows the guidelines of the American National Standard for Specifications for the Chromaticity of Solid State Lighting (SSL) Products, ANSI C78.377-2017.

**Construction**

**Housing:**

Die-cast aluminum

**Lens:**

Glass

**Reflector:**

Specular aluminum

**Cold Weather Starting:**

Minimum starting temperature is -40°C (-40°F)

**Maximum Ambient Temperature:**

Suitable for use in 40°C (104°F)

**Mounting:**

Die-cast backbox with four (4) conduit entry points and knockout pattern for junction box or direct wall mounting. Hinged door for easy re-assembly.

**Green Technology:**

Mercury and UV free. RoHS-compliant components.

**Finish:**

Formulated for high durability and long-lasting color

**Other**

**Replacement:**

Replaces up to 100W Metal Halide

**Technical Specifications (continued)**

**Other**

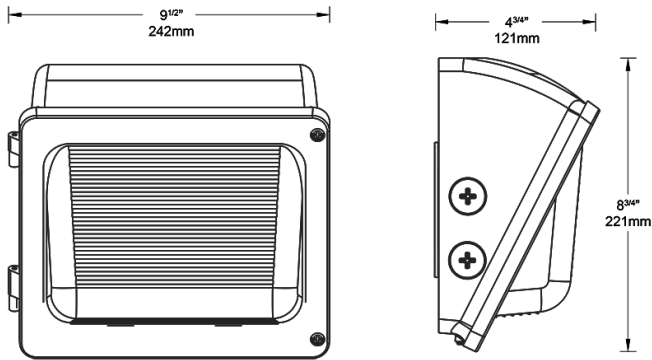
**5 Yr Limited Warranty:**

The RAB 5-year, limited warranty covers light output, driver performance and paint finish. RAB's warranty is subject to all terms and conditions found at [rablighting.com/warranty](http://rablighting.com/warranty).

**Buy American Act Compliance:**

RAB values USA manufacturing! Upon request, RAB may be able to manufacture this product to be compliant with the Buy American Act (BAA). Please contact customer service to request a quote for the product to be made BAA compliant.

**Dimensions**



**Features**

- Economy-grade wall pack with traditional look
- Covers footprint of small HID wall packs
- Available in various lumen packages
- Integrated 0-10V dimming
- 50,000-Hour LED lifespan

**Ordering Matrix**

Family	Lumen Package	CRI/CCT	Voltage	Options
W34	35L	830		
	30L = 3100lm, 30W 35L = 3600lm, 33W	Blank = 80 CRI / 5000K 830 = 80 CRI / 3000K	Blank = 120-277V, 0-10V Dimming /480 = 480V, 0-10V Dimming	Blank = No Option /PCU = 120-277V Button Photocell /MVS = 120-277V Microwave Sensor /LC = 120-277V Lightcloud® Control