

The 12V EmeryAllen MR16 retrofit lamp is an energy efficient alternative to 12V halogen MR16 lamps. It offers similar light output to a 12V, 20W incandescent (275-300lm) and is suitable for use in most 12V GU5.3 MR16 fixtures.

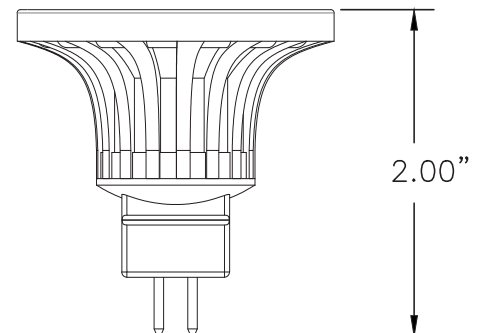
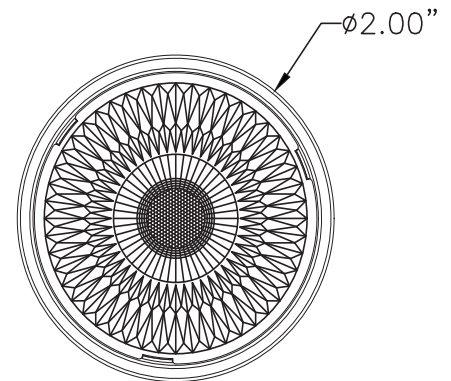
| | |
|---------------------------|---------------|
| Base Type | GU5.3 |
| Material | Ceramic + PC |
| Input Voltage | 12V AC |
| Wattage | 3.0 |
| Volt-Amperes (VA) | 3.396W |
| CRI | 90+ |
| Lumens | 284 lumens |
| Lumens/Watt | 92 |
| CBCP | 233 |
| Color Temperature | 2700K & 3000K |
| R9 | 55 |
| R13 | 96 |
| Halogen Equivalent | 20W |

Available Models:

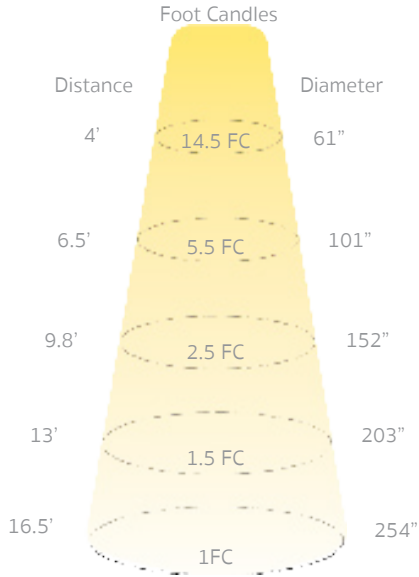
- EA-MR16-3.0W-60D-2790-D (2700K)
- EA-MR16-3.0W-60D-3090-D (3000K)

Dimming:

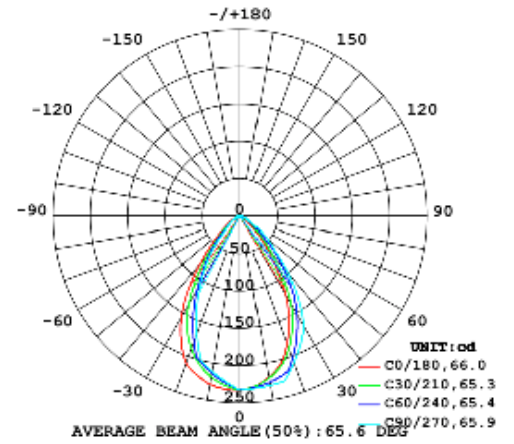
- Dimmable with most magnetic and electronic LED compatible transformers. AC current only.
- Dimmable with most MLV and ELV dimmers.



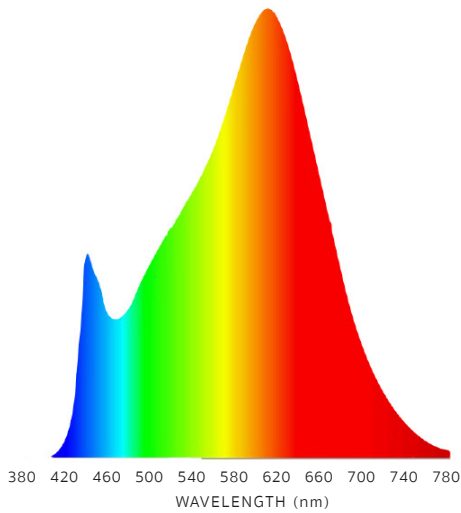
CANDELA DISTRIBUTION



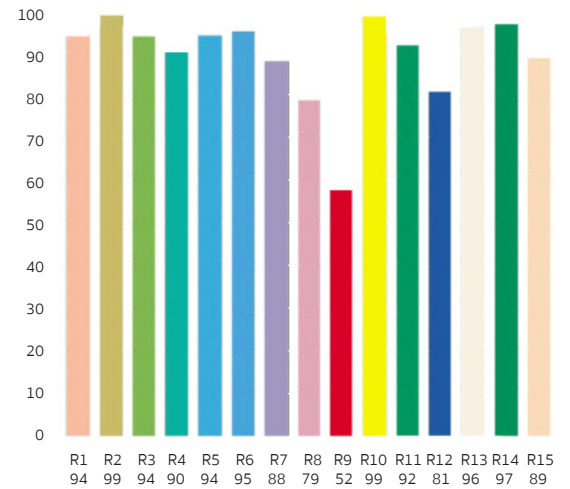
LUMINOUS INTENSITY



SPECTRAL DISTRIBUTION



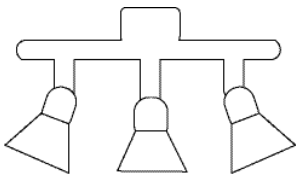
CRI VALUES | R1-R15



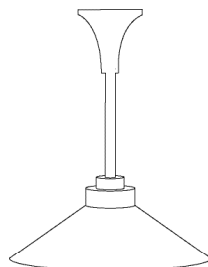
APPLICATIONS

Because of their small size, ability to be enclosed and numerous combinations of options, our MR16 can be used in a variety of applications. Here are a few common ones.

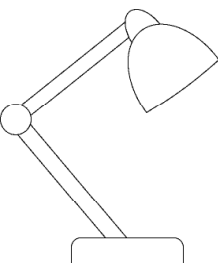
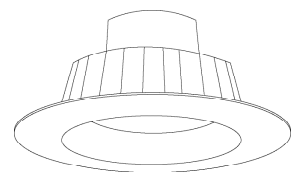
TRACK LIGHTING



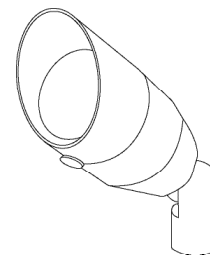
PENDANTS



RECESSED LIGHTING



TASK LIGHTING



LANDSCAPE LIGHTING