

The 12V EmeryAllen MR16 retrofit lamp is an energy efficient alternative to 12V halogen MR16 lamps. It offers similar light output to a 12V, 35W incandescent (300-450lm) and is suitable for use in most 12V GU5.3 MR16 fixtures.

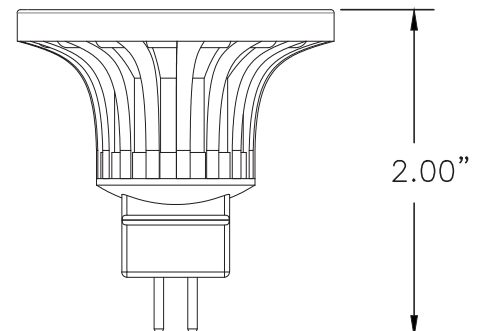
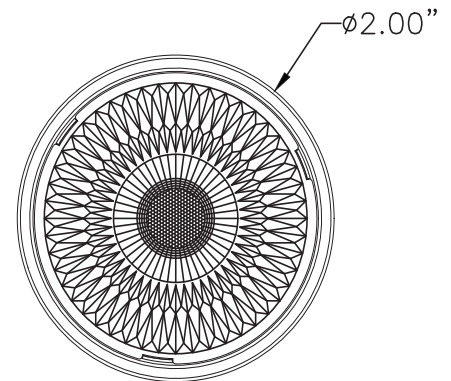
|                           |               |
|---------------------------|---------------|
| <b>Base Type</b>          | GU5.3         |
| <b>Material</b>           | Ceramic + PC  |
| <b>Input Voltage</b>      | 12V AC        |
| <b>Wattage</b>            | 5.0           |
| <b>Volt-Amperes (VA)</b>  | 5.556W        |
| <b>CRI</b>                | 90+           |
| <b>Lumens</b>             | 403 lumens    |
| <b>Lumens/Watt</b>        | 84            |
| <b>CBCP</b>               | 1122          |
| <b>Color Temperature</b>  | 2700K & 3000K |
| <b>R9</b>                 | 55            |
| <b>R13</b>                | 96            |
| <b>Halogen Equivalent</b> | 35W           |

#### Available Models:

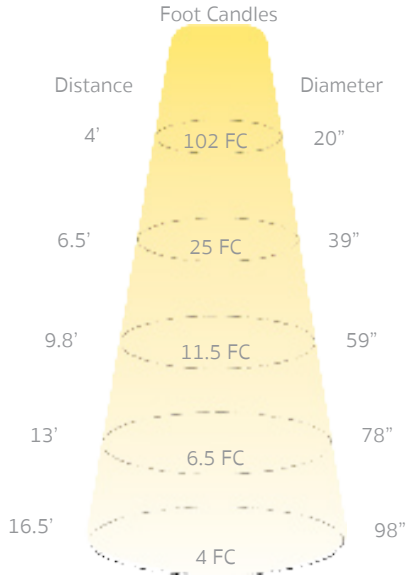
- EA-MR16-5.0W-24D-2790-D (2700K)
- EA-MR16-5.0W-24D-3090-D (3000K)

#### Dimming:

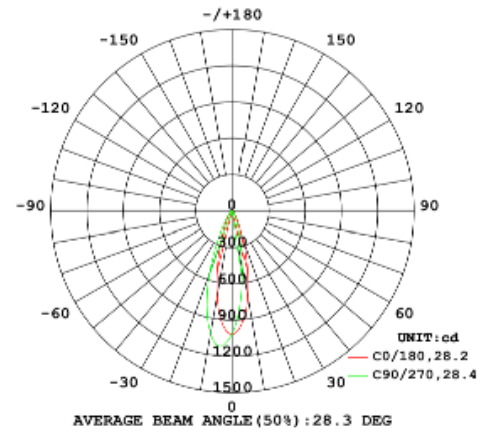
- Dimmable with most magnetic and electronic LED compatible transformers. AC current only.
- Dimmable with most MLV and ELV dimmers.



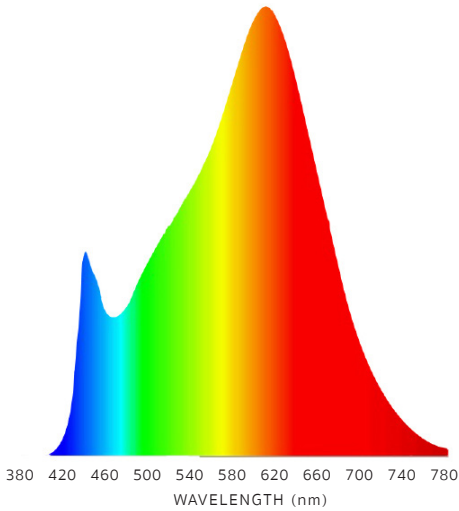
## CANDELA DISTRIBUTION



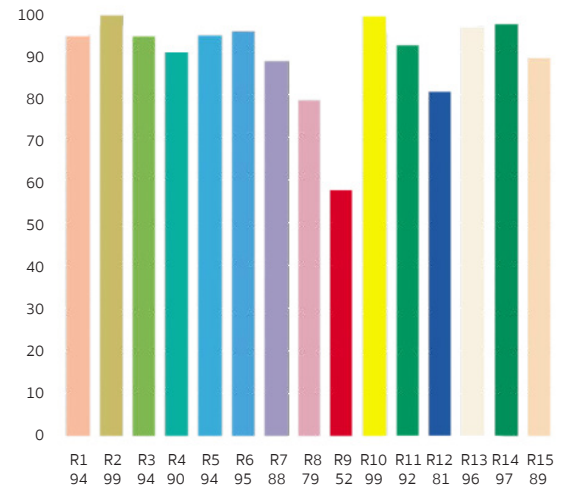
## LUMINOUS INTENSITY



## SPECTRAL DISTRIBUTION



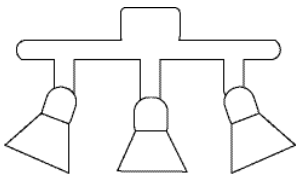
## CRI VALUES | R1-R15



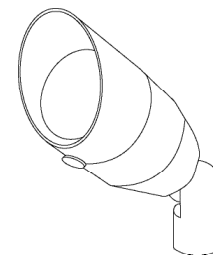
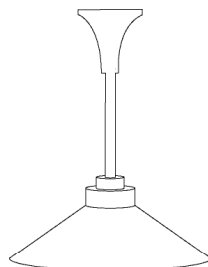
## APPLICATIONS

Because of their small size, ability to be enclosed and numerous combinations of options, our MR16 can be used in a variety of applications. Here are a few common ones.

TRACK LIGHTING

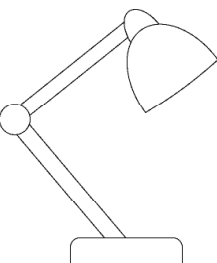
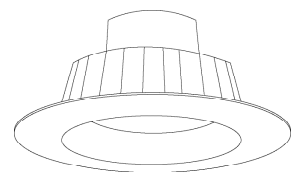


PENDANTS



LANDSCAPE LIGHTING

RECESSED LIGHTING



TASK LIGHTING