

MR16 ECOSTAR

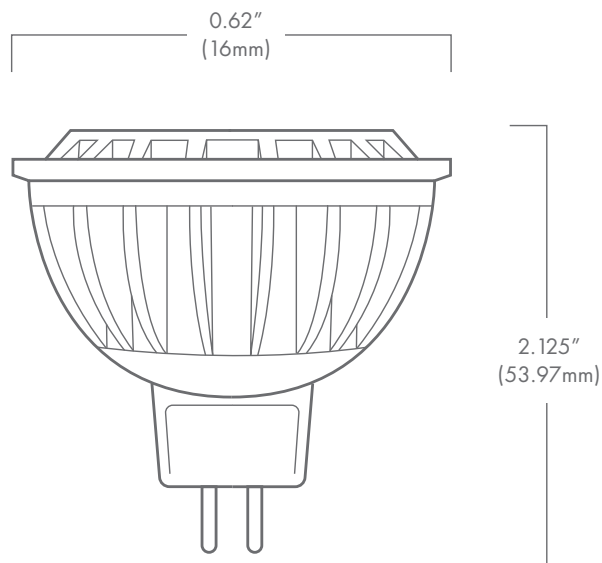
DESCRIPTION

The Brilliance LED MR16 ECOSTAR Bipin lamp is designed to fit into standard, low voltage fixtures. Designed for budget-conscious landscape lighting projects.

FEATURES

- Dimmable with most magnetic transformers
- Suitable for damp locations
- Suitable for totally enclosed luminaries
- Input electrical current: 330mA, AC

Wattage	4
Lumens	265-300
Beam Spread	15°, 30°, 60°, 120°
Kelvin Temperature	2700, 3000, 5700
Operating Range	8-25 VAC
Replaces	20W Halogen
CRI	77
IP	61
Chipset	Epistar
Lamp Life (hours)	30,000
Warranty (years)	3



Part Number: **MR16-4-ECO-XXXX-XXX**

Kelvin | Beam spread

