



Versatile, economical strip lights combine a traditional, fluorescent tube look with energy-saving LED technology.

Color: White

Weight: 6.5 lbs

**Project:**

**Type:**

**Prepared By:**

**Date:**

#### Driver Info

Type	Constant Current
120V	0.40A
208V	0.19A
240V	0.17A
277V	0.15A
Input Watts	39.5W

#### LED Info

Watts	40W
Color Temp	5000K (Cool)
Color Accuracy	84 CRI
L70 Lifespan	50,000 Hours
Lumens	5,579
Efficacy	141.2 lm/W

## Technical Specifications

### Compliance

#### UL Listed:

Suitable for damp locations

#### IESNA LM-79 & IESNA LM-80 Testing:

RAB LED luminaires have been tested by an independent laboratory in accordance with IESNA LM-79 and LM-80

#### DLC Listed:

This product is listed by Design Lights Consortium (DLC) as an ultra-efficient premium product that qualifies for the highest tier of rebates from DLC Member Utilities. DLC Product Code: PRA04FV3  
DLC Product Code: P14UOGJN

### Performance

#### Lifespan:

50,000-Hour LED lifespan based on IES LM-80 results and TM-21 calculations

### LED Characteristics

#### LEDs:

Long-life, high-efficacy, surface-mount LEDs

### Color Stability:

LED color temperature is warranted to shift no more than 200K in color temperature over a 5-year period

### Color Uniformity:

RAB's range of Correlated Color Temperature follows the guidelines of the American National Standard for Specifications for the Chromaticity of Solid State Lighting (SSL) Products, ANSI C78.377-2017.

### Construction

#### Cold Weather Starting:

The minimum starting temperature is -20°C (-4°F)

#### Maximum Ambient Temperature:

Suitable for use in up to 50°C (122°F)

#### Housing:

Sheet metal stamping 24 gauge, cold-rolled steel

### Mounting:

Comes standard with surface mounting hardware. Accessories available for suspension hook mounting or J-Box mounting (purchased separately).

### Connecting Adaptor:

May link up to 15 fixtures using connecting adaptor included with each fixture for easy installation. Separate connecting plate (order as accessory) recommended for each connection point.

### Finish:

Formulated for high durability and long-lasting color

### Green Technology:

Mercury and UV free. RoHS-compliant components.

## Technical Specifications (continued)

### Other

#### 5 Yr Limited Warranty:

The RAB 5-year, limited warranty covers light output, driver performance and paint finish. RAB's warranty is subject to all terms and conditions found at [rablighting.com/warranty](http://rablighting.com/warranty).

#### Accessories:

**STRP BPLATE** - Bracket plate for mechanically joining fixtures, for runs need one less than fixture quantity. [Click here.](#)

**STRP SHOOK** - Suspension "S" hook and 9 1/2" chain. Sold in pairs, need 1 pair for each fixture. [Click here.](#)

**JBSTRP** - White flat cover for junction-box installations, sold individually. [Click here.](#)

#### Trade Agreements Act Compliant:

This product is a product of Cambodia and a "designated country" end product that complies with the Trade Agreements Act

### Buy American Act Compliance:

RAB values USA manufacturing! Upon request, RAB may be able to manufacture this product to be compliant with the Buy American Act (BAA). Please contact customer service to request a quote for the product to be made BAA compliant.

### Electrical

#### Driver:

Constant Current, 120-277V, 50/60 Hz, 120V: 0.19A, 208V: 0.17A, 240V: 0.15A, 277V: 0.12A

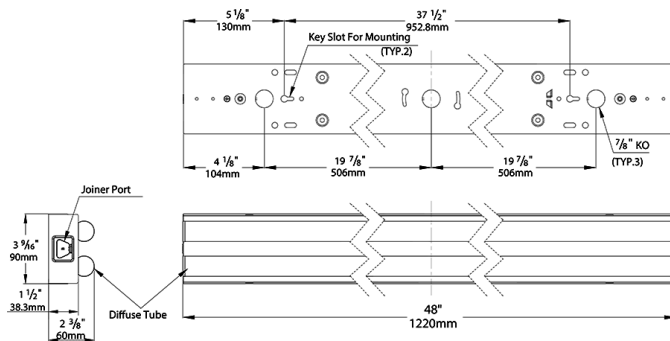
#### THD:

5.8% at 120V, 7.64% at 277V

### Power Factor:

99.7% at 120V, 97.2% at 277V

## Dimensions



## Features

- Traditional, fluorescent tube look; energy-saving LED technology
- Surface-mount ready; accessories available for junction box or suspended mount
- 0-10V dimming
- 50,000-Hour LED lifespan

## Ordering Matrix

Family	Length/Wattage	CRI/Color Temp	Voltage	Options
STRP	440	850	U	
	210 = Single tube 2ft, 10W 220 = Double tube 2ft, 20W 420 = Single tube 4ft, 20W 440 = Double tube 4ft, 40W	850 = 5000K (Cool), 80 CRI 840 = 4000K (Neutral), 80 CRI 835 = 3500K (Warm Neutral), 80 CRI	U = 120-277V	Blank = No Option /MVS = Microwave Occupancy Sensor Bi-Level Motion Sensor *Available only to STRP440 <sup>1</sup> /E2 = Emergency Backup *Available only to STRP440 <sup>1</sup>

<sup>1</sup> Available with the STRP440 only