

## Product Bulletin

SmartlockPro® Self-Test GFCI Combination  
Type A USB In-Wall Charger



Industry-leading GFCI protection.  
Now with USB charging power.



### Code-Compliant GFCI Protection Meets High Speed USB Charging.

The SmartlockPro® Self-Test GFCI Combination Type A USB In-Wall Charger offers the trusted safety of Leviton GFCI protection with the advantage of powerful USB charging for Code-compliant use in kitchens, bathrooms, or anywhere GFCI protection is required.

Engineered to meet the latest UL standard for auto-monitoring (self-test), Leviton GFCIs periodically conducts an automatic internal test to confirm that protected power is available. If the GFCI detects a problem, one or more of the following will occur:

- Power will be denied (trip with the inability to reset)
- Trip with the ability to reset, subject to the next auto-monitoring test cycle or repeatedly trip
- Visual and/or audible indication

For additional safety, the device outlets feature tamper-resistant shutters that meet NEC® 406.12 requirements by blocking access to the contacts unless a two- or three-prong plug is inserted.

### Ultra-fast Charging

Leviton USB In-Wall Chargers deliver maximum power for faster charging – up to 2X more power\*. Our smart chip technology recognizes and optimizes the charging requirements of the connected device, ensuring it's getting the right amount of power for fast and efficient charging.

### Applications

Ideal for residential applications that require GFCI protection, such as kitchens, bathrooms and home spas, leaving ample room to power up or charge USB devices.



*By combining two technologies into a single device, outlets remain available for other power needs.*

\*vs competitor device

## Features

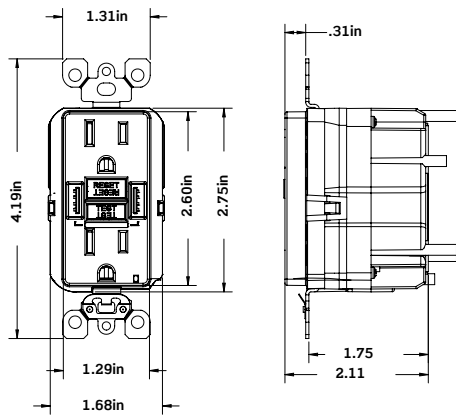
- Patented bridge contact provides individual sets of contacts for GFCI receptacle face and downstream receptacles; no power will be delivered to receptacle face if improperly wired (line-load reversed)
- Trip threshold meets or exceeds UL requirements for tripping time
- Improved immunity to high frequency noise reduces nuisance tripping
- Advanced electronics provides superior resistance to electrical surges and over-voltages
- Patented Lockout Action prevents reset if GFCI is damaged and cannot respond to a ground-fault
- Status Indicator Light provides simple, intuitive feedback on power and protection status as well as indication of line/load reversal
- 4.8A USB Charger
- Charges most Type A devices
- No data transfer capability
- Two high-powered charging ports with 24W of total power
- Smart chip recognizes and optimizes the charging requirements of individual devices
- Built-in overcurrent protection helps protect the electronics from receiving too much power, which can damage the device
- Internal thermo regulator prevents the electronics from overheating

- USB Ports tested to meet the industry requirement to withstand over 10,000 insertions
- Compatible with USB 3.1, 3.0, 2.0, 1.1 devices
- Tamper-resistant receptacles help prevent access by most non-rated/foreign objects
- Silver alloy contacts
- Impact-resistant thermoplastic cover and body
- One-piece T-design trip latch mechanism provides efficient operation
- Available in 15A and 20A versions
- TEST and RESET button colors match device face
- Compatible with all Decora® devices and wallplates; available in select Decora colors
- Limited Two-Year Product Warranty

## Agency Standards and Compliance

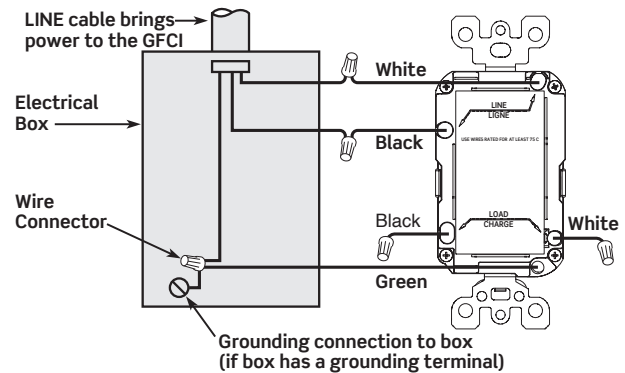
- Meets the latest UL and CSA requirements
- UL Standard 943 Class A (GFCI) and 498 (Receptacles)
- UL Listed
- CSA Standard C22.2 - 144.1 (GFCI) and 42 (Receptacles)
- CSA Certified
- FCC Part 15: Class B
- UL Standard 1310

## Dimensional Drawings



15A and 20A (15A Model Shown)

## Wiring Diagrams



## Ordering Information

Cat. No.	Description	Charging Capacity	Rating	Color
GUSB1	SmartlockPro® Self-Test GFCI Combination Type A USB In-Wall Charger	24W (4.8A)	15A-125V Receptacle, 20A Feed-Thru	W
GUSB2	SmartlockPro® Self-Test GFCI Combination Type A USB In-Wall Charger	24W (4.8A)	20A-125V Receptacle, 20A Feed-Thru	W



Leviton Manufacturing Co., Inc.

Tech Line: 1-800-824-3005

Mon-Fri 8am-10pm EST, Saturday 9am-7pm EST, Sunday 9am-5pm EST

For 24/7 product support visit [www.leviton.com/support](http://www.leviton.com/support)

Visit our Website at: [www.leviton.com/usb](http://www.leviton.com/usb)

© 2021 Leviton Manufacturing Co., Inc. All rights reserved.  
All trademarks are the property of their respective owners.

