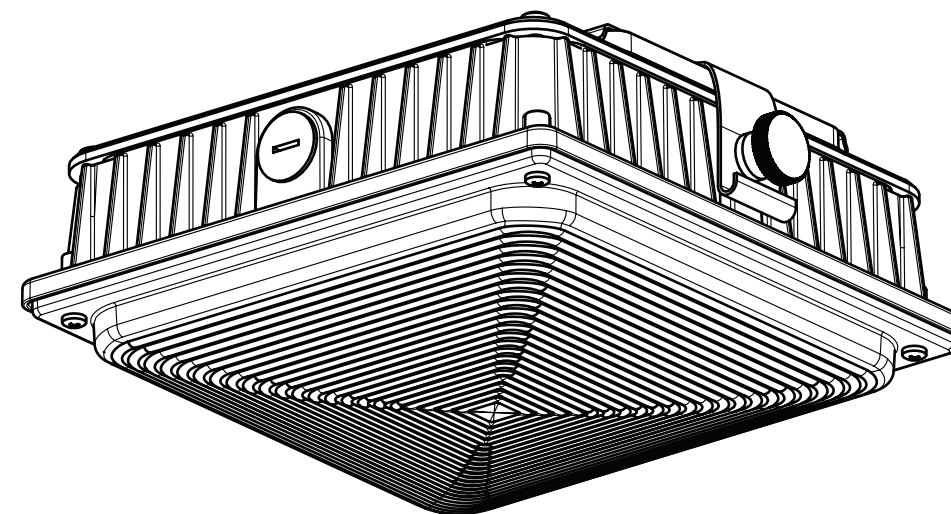




# Canopy Fixture

*Installation Instructions*

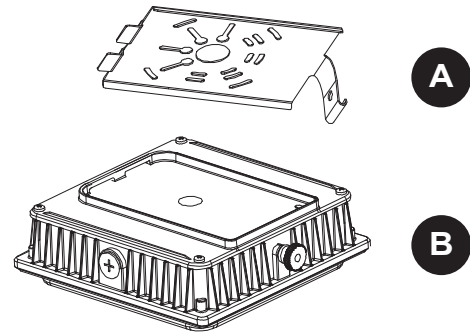


**ATTACH YOUR RECEIPT HERE**

Item Number \_\_\_\_\_ Purchase Date \_\_\_\_\_

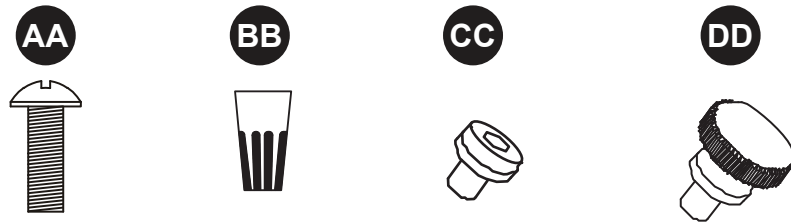
Questions, problems, missing parts? Before returning to your retailer, call our customer service department at 1-866-492-6566.

## PACKAGE CONTENTS



Part	Item Name	Qty.
A	Mounting Adapter Plate	1
B	Canopy Fixture	1

## HARDWARE CONTENTS (shown actual size)



Junction Box Screw Qty. 4  
 Wire Nut Qty. 3  
 Security Screw (Optional) Qty. 1  
 Thumb Screw Qty. 1

## ! SAFETY INFORMATION

Please read and understand this entire manual before attempting to assemble, operate or install the product. Failure to do so could lead to electric shock, fire or other injuries that could be hazardous or even fatal.

- Be sure the electricity to the wires you are working on is shut off. Either remove the fuse or turn off the circuit breaker.
- Changes or modifications not expressly approved by the party responsible for compliance could void the user's authority to operate the equipment.

### CAUTION:

- The fixture body is one piece. Do not disassemble it.
- This fixture is NOT dimmable, do not install in a circuit with a dimming switch.

### NOTICE

- This device complies with Part 15 of the FCC Rules. Operation is subject to the following two conditions: (1) This device may not cause harmful interference, and (2) this device must accept any interference received, including interference that may cause undesired operation.

## ! SAFETY INFORMATION

### NOTICE

- This equipment has been tested and found to comply with the limits for a Class B digital device, pursuant to part 15 of the FCC Rules. These limits are designed to provide reasonable protection against harmful interference in a residential installation. This equipment generates, uses and can radiate radio frequency energy and, if not installed and used in accordance with the instructions, may cause harmful interference to radio or television reception, which can be determined by turning the equipment off and on. The user is encouraged to try to correct the interference by one or more of the following measures:
  - Reorient or relocate the receiving antenna.
  - Increase the separation between the equipment and the receiver.
  - Connect the equipment into an outlet on a circuit different from that to which the receiver is connected.
  - Consult the dealer or an experienced radio/TV technician for help.

### PREPARATION

Before beginning assembly of product, make sure all parts are present. Compare parts with package contents list and hardware contents list. If any part is missing or damaged, do not attempt to assemble the product.

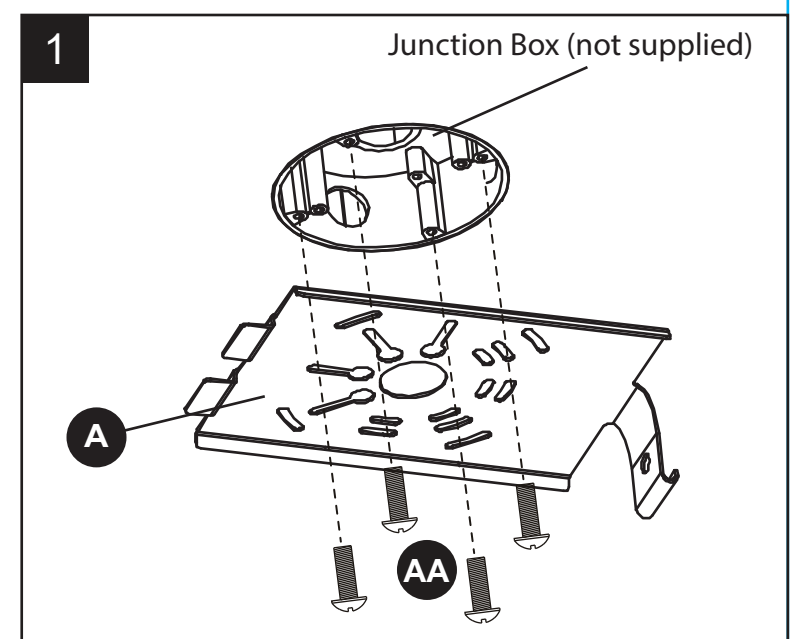
**Estimated Assembly Time:** 15 minutes

Tools Required for Assembly (not included): Phillips Screwdriver

### INSTALLATION INSTRUCTIONS

Be sure the electricity to the wires you are working on is shut off. Either remove the fuse or turn off the circuit breaker.

1. Route the supply wires from the junction box through the center opening on the mounting adapter plate (A). Align the mounting adapter plate (A) over the junction box so that the required junction box screws (AA) can be fitted through the provided slots. Ensure the desired orientation of the fixture is set before tightening the mounting adapter plate (A) down against the junction box.

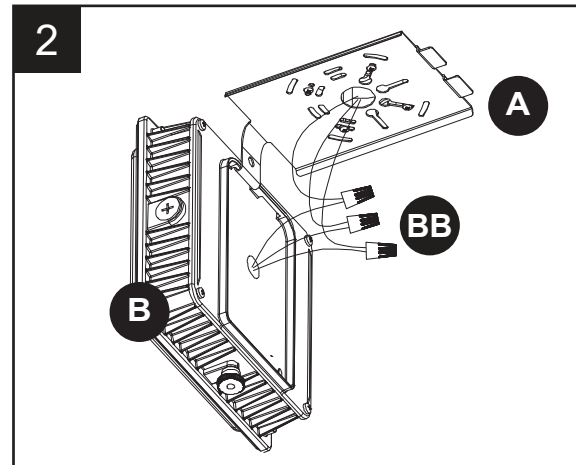


## INSTALLATION INSTRUCTIONS

2. The canopy fixture (B) body can be temporarily hung from the hook provided by the mounting adapter plate (A) so that both hands are available to make the electrical connections to the building supply leads.

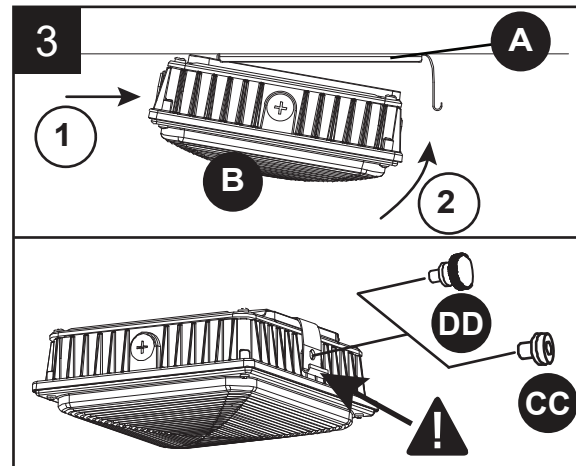
Connect the fixture wires to the supply wires -- black to black, white to white, and green to copper/bare.  
**WARNING:** If there is no ground supply wire, stop installation and consult a qualified electrician.

Once wire connections are made, secure each with a wire nut (BB).



3. Insert the two legs of the mounting adapter plate (A) into the slots on the flange on the rear of the canopy fixture (B), swing the fixture up and use either the thumb screw (DD), or the security screw (CC) to complete the installation.

**! CAUTION:** If using the thumb screw (DD), take care when turning the screw with fingers as the lip of the mounting adapter plate (A) hook may be sharp and bare fingers may be cut while turning the screw.



## CARE AND MAINTENANCE

Clean with a mild, non-abrasive glass cleaner and soft cloth. Do NOT use solvents or cleaners containing abrasive agents. When cleaning the fixture, make sure the power is turned off, and any liquid spray should be applied to the cleaning cloth and not sprayed directly onto the fixture itself.

## TROUBLESHOOTING

PROBLEM	POSSIBLE CAUSE	CORRECTIVE ACTION
Fixture does not light.	1. Power is off. 2. Incorrect wire connection. 3. Defective wall switch.	1. Check circuit breaker or wall switch. 2. Check wire splices. 3. Replace switch.
Circuit breaker trips when light is turned on.	Crossed wires or power wire is grounded out.	Verify wires are correctly connected.

## WARRANTY

This fixture is warranted to perform free from defects for five (5) years. If it fails to do so, you may return it with proof of purchase to 13445 12th St., Chino, CA 91710 for replacement.