



Project:	Type:
Prepared By:	Date:

Driver Info		LED Info	
Type	Constant Current	Watts	150W
120V	1.40A	Color Temp	4000K/5000K
208V	0.80A	Color	82-84 CRI
240V	0.70A	Accuracy	
277V	0.60A	L70 Lifespan	100,000 Hours
Input Watts	100-154.1W	Lumens	15000-22149
		Efficacy	143.7-150 lm/W

Technical Specifications

Field Adjustability

Field Adjustable:

Field Adjustable Light Output:
100W/125W/150W (factory default 150W)
Color temperature (selectable by 4000K and 5000K)

Compliance

UL Listed:

Suitable for wet locations

IESNA LM-79 & LM-80 Testing:

RAB LED luminaires and LED components have been tested by an independent laboratory in accordance with IESNA LM-79 and LM-80.

Electrical

Driver:

100W: Constant Current, 120-277V, 50/60Hz, 120V: 1.00A, 208V: 0.60A, 240V: 0.50A, 277V: 0.40A

125W: Constant Current, 120-277V, 50/60Hz, 120V: 1.20A, 208V: 0.70A, 240V: 0.60A, 277V: 0.50A

150W: Constant Current, 120-277V, 50/60Hz, 120V: 1.40A, 208V: 0.80A, 240V: 0.70A, 277V: 0.60A

Dimming Driver:

Driver includes wiring for 0-10V dimming systems. Dim as low as 10%.

THD:

4.53% at 120V, 9.02% at 277V

Power Factor:

99.8% at 120V, 94.6% at 277V

Surge Protection:

6kV

Note:

All values are typical (tolerance +/- 10%)

LED Characteristics

LEDs:

Long-life, high-efficacy, surface-mount LEDs

Color Consistency:

7-step MacAdam Ellipse binning to achieve consistent fixture-to-fixture color

Color Uniformity:

RAB's range of Correlated Color Temperature follows the guidelines of the American National Standard for Specifications for the Chromaticity of Solid State Lighting (SSL) Products, ANSI C78.377-2017.

Construction

IP Rating:

Ingress protection rating of IP65 for dust and water

Cold Weather Starting:

The minimum starting temperature is -40°C (-40°F)

Technical Specifications (continued)

Construction

Maximum Ambient Temperature:

Suitable for use in up to 50°C (122°F)

Housing:

Precision die-cast aluminum

Mounting:

Heavy-duty 3/4" NPS hook and 3/4" pendant mount capable (pendant by others)

Lens:

Polycarbonate lens

Beam Angle:

90°

Reflector:

Polycarbonate

Finish:

Formulated for high durability and long-lasting color

Green Technology:

Mercury and UV free. RoHS-compliant components.

Other

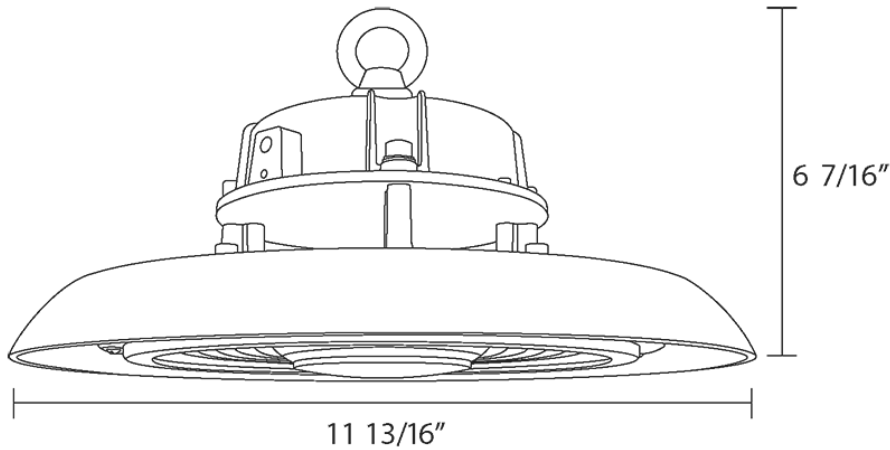
5 Yr Limited Warranty:

The RAB 5-year, limited warranty covers light output, driver performance and paint finish. RAB's warranty is subject to all terms and conditions found at rablighting.com/warranty.

Buy American Act Compliance:

RAB values USA manufacturing! Upon request, RAB may be able to manufacture this product to be compliant with the Buy American Act (BAA). Please contact customer service to request a quote for the product to be made BAA compliant.

Dimensions



Ordering Matrix

Family	Wattage	Color Temp	Finish	Voltage
H17				
	Blank = 150/125/100W XL = 240/200/160W	Blank = 4000/5000K	Blank = White	Blank = 120-277V