



**Type IC, Wet & Air-Tight**

**DESCRIPTION**

3" Round Regressed Gimbal LED  
 With Integral Driver In Connection Box  
 Gimbal Yet Air-Tight Without Housing Needed

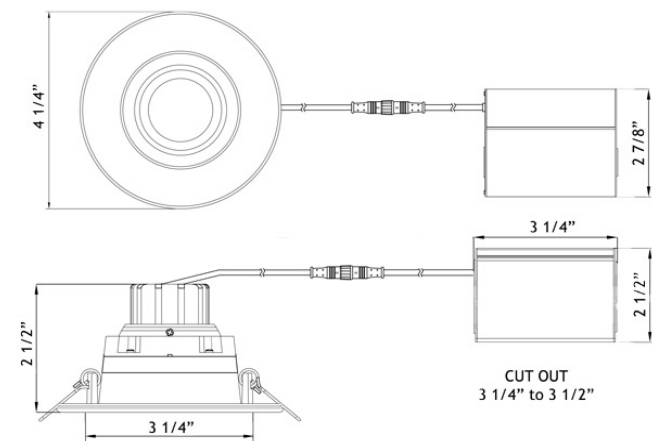
**FEATURES & BENEFITS**

2 1/2" Deep - Install Where Ceiling Space Is Limited  
 Type IC Rated - No Housing Required  
 Driver Inside Connection Box - No Junction Box Needed  
 CRI 90+ for True Color Rendering  
 Available in single CCT, Dim to Warm, & 5CCT

**MOUNTING**

Cut Hole In Ceiling And Snap Fixture In Opening  
 With Attached Spring Clips  
 Ceiling Clearance Required: 3 1/2"

**DIMENSIONS:** ID 3 1/4" OD 4 1/4" Cut Out 3 1/4" to 3 1/2"



**AVAILABLE TRIMS**



**ORDERING GUIDE** Example: **LRG3 - 30K - WH**

|             | CCT         | Trim Finish                     | Beam Angle          |
|-------------|-------------|---------------------------------|---------------------|
| <b>LRG3</b> | - xxK       | - xx                            | -                   |
| 2700K       | <b>27K</b>  | <a href="#">WH</a>              | for 38° leave blank |
| 3000K       | <b>30K</b>  | <a href="#">BK</a>              | - 15D spot 15°      |
| 3500K       | <b>35K</b>  |                                 |                     |
| 4000K       | <b>40K</b>  |                                 |                     |
| 5000K       | <b>50K</b>  |                                 |                     |
| DTW 3K-2K   | <b>32K</b>  | Dim to Warm 3000K to 2000K      |                     |
| 5CCT        | <b>5CCT</b> | User selectable 27-30-35-40-50K |                     |

Note: DTW & 5CCT available in 38° degree only



**Type IC  
 Air-Tight  
 Wet Location**

**LRG3**

**3" Round Regressed Gimbal LED 7.5W**

Project: \_\_\_\_\_

Location: \_\_\_\_\_

Model #: \_\_\_\_\_ Qty: \_\_\_\_\_

Notes: \_\_\_\_\_

| SPECIFICATION              |   |
|----------------------------|---|
| Applications               | Sloped Ceilings up to 20°, General Lighting   |
| Energy Used                | 7.5 W   |
| Color Temperature          | 2700   3000   3500   4100   5000   DTW   5CCT |
| Light Output               | 580   600   620   630   650   500             |
| Halogen Equivalent         | 50 W  |
| Beam Angle                 | 38° or 15° with 20° tilt and 360° rotation    |
| CRI                        | 90 +  |
| Default Driver Input       | 120V AC Triac Dimmable                        |
| Optional Driver Input      | 120V-347V AC 0-10V Dimmable                   |
| Junction Box Wire Capacity | Max 5 No 12 AWG or 8 No 14 AWG                |
| Power Factor               | 0.95  |
| Approved Location          | Insulated Ceiling & Wet Locations             |
| IP Rating                  | IP 54   |
| Air Tight                  | Yes   |
| Ambient Temperature        | -40°F (-40°C) to +104°F (+40°C)               |
| Projected Life             | 70% Light Output at 50,000 Hours              |
| Certification              | cULus, Energy Star (except DTW & 5CCT), T24   |
| Warranty                   | 10 Year Residential / 5 Year Commercial       |

120V TRIAC Dimmable  
 Driver Included



Optional 120V-347V  
 Driver 0-10V Dimmable  
 Order Separately as  
[model # LLL-LD0716T](#)



**ACCESSORIES**

Sold Separately



Low Voltage Extension Cables. Max 40 ft Allowed  
[6ft - model # EXC6](#)  
[20ft - model # EXC20](#)



[Flat Rough-In Plates - model # RIP312](#)



[Flanged Plate with Hanger Bars model # FRP312](#)

**COMPLIANCE**

**Lotus LED Lights USA**  
 250 H Street # 301, Blaine WA 98230 tel 360-200-5500  
 Hainesport NJ, Naples FL, Dallas TX, Vancouver WA

[www.LotusLEDLights.com](http://www.LotusLEDLights.com)  
 mailing addresses  
 warehouses

**Lotus LED Lights CANADA**  
 702 Chester Rd, Delta BC V3M 6J1 tel 604-538-3090  
 Delta BC & Mississauga ON

USA Patent # US 10,344,952 B2 | Canada Patent # 2,967,954